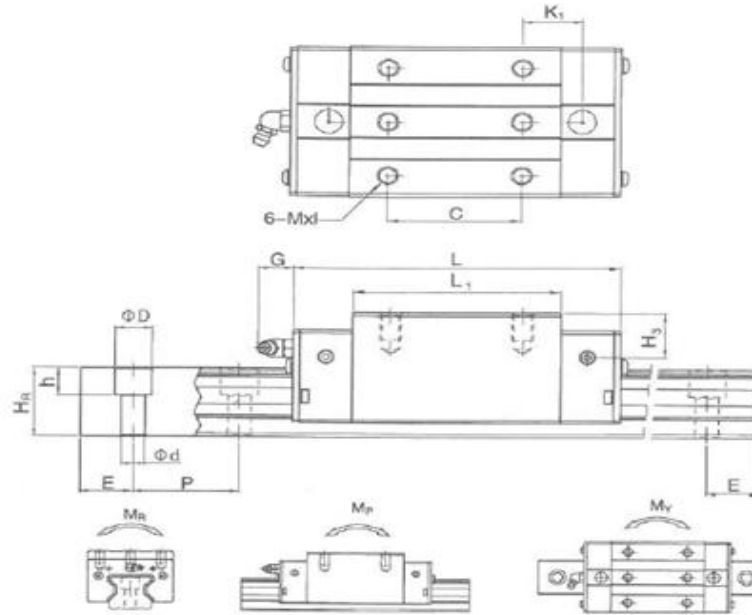
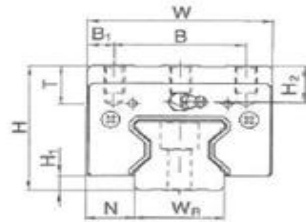


# 直线导轨轴承

LINEAR guide bearing

RC 高刚性滚子型

RCW-CC / RCW-HC



轴承型号 Bearing NO.	主要尺寸 (mm) Dimentions				滑块尺寸 (mm) Block Dimentions														导轨尺寸 (mm) Rail Dimentions						重量 Weight		
	H	H1	N	W	B	B1	C	C	L1	L	K1	K2	G	M	T	T1	H2	H3	WR	HR	D	h	d	P	E	kg	kg/m
RCW 15CC	24	4.0	16.0	47.0	38.0	4.5	30.0	26.0	45.0	68.0	11.4	4.7	5.3	M5	6.0	6.95	3.6	6.1	15.0	16.5	7.5	5.7	4.5	30.0	20.0	0.23	1.8
RCW 20CC	30	5.0	21.5	63.0	53.0	5.0	40.0	35.0	57.5	86.0	13.8	6.0	5.3	M6	8.0	10.0	4.3	4.3	20.0	21.0	9.5	8.5	6.0	30.0	20.0	0.44	2.76
RCW 20HC									77.5	106.0	23.8															0.62	
RCW 25CC	36	5.5	23.5	70.0	57.0	6.5	45.0	40.0	64.5	97.9	15.75	7.25	12.0	M8	9.5	10.0	6.2	6.0	23.0	23.6	11.0	9.0	7.0	30.0	20.0	0.67	3.08
RCW 25HC									81.0	114.4	24.0															0.86	
RCW 30CC	42	6.0	31.0	90.0	72.0	9.0	52.0	44.0	71.0	109.8	17.5	8.0	12.0	M10	9.5	10.0	6.5	7.3	28.0	28.0	14.0	12.0	9.0	40.0	20.0	1.06	4.41
RCW 30HC									93.0	131.8	28.5															1.42	
RCW 35CC	48	6.5	33.0	100.0	82.0	9.0	62.0	52.0	79.0	124.0	16.5	10.0	12.0	M10	12.0	13.0	9.0	12.6	34.0	30.2	14.0	12.0	9.0	40.0	20.0	1.61	6.06
RCW 35HC									106.5	151.5	30.25															2.21	
RCW 45CC	60	8.0	37.5	120.0	100.0	10.0	80.0	60.0	106.0	153.2	21.0	10.0	12.9	M12	14.0	15.0	10.0	14.0	45.0	38.0	20.0	17.0	14.0	52.5	22.5	3.22	9.97
RCW 45HC									139.8	187.0	37.9															4.41	
RCW 55CC	70	10.0	43.5	140.0	116.0	12.0	95.0	70.0	125.5	183.7	27.75	12.5	12.9	M14	16.0	17.0	12.0	17.5	53.0	44.0	23.0	20.0	16.0	60.0	30.0	5.18	13.98
RCW 55HC									173.8	232.0	51.9															7.34	
RCW 65CC	90	12.0	53.5	170.0	142.0	14.0	110.0	82.0	160.0	232.0	40.8	15.8	12.9	M16	22.0	23.0	15.0	15.0	63.0	53.0	26.0	22.0	18.0	75.0	35.0	11.04	20.22
RCW 65HC									223.0	295.0	72.3															15.75	

注: 1kgf=9.81N